



**COLLET
CHUCK**

CRS Short Series Power Collet Chucks



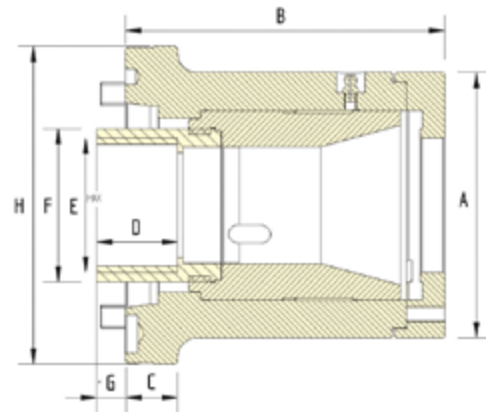
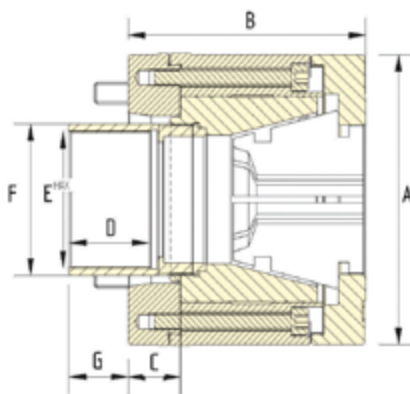
CRS series

Standard Features

- Ultra compact chuck design for first operation.
- Ideally suited for use with barfeeders.
- Short length maximises lathe work envelope.
- Bolt on collet retaining cap.
- Uses Varibore bore type collets only.
(CRS36 also accepts 171E spring collets.)



Collet Chuck



Specifications		CRS 36	CRS 54A5	CRS54A6	CRS60A5	CRS 66	CRS 66A6-S	CRS 66A8
Gripping Range	Max mm	35	54	54	60	66	66	66
	Min mm	4	3	3	4	4	4	4
Collet Increment	mm	2	3	3	2	3	3	3
Sleeve Stroke	mm	7	10	10	7	10	10	10
Max Input Force	kN	18	30	30	30	38	38	38
Max Gripping Force	kN	36	60	60	60	84	84	84
Max Speed (rpm)	min ⁻¹	7000	6300	6300	6300	4500	4500	4500
Net Weight	kg	8	11	11	11	19	24	18
Matching Cylinder		S1036	S1552/75	S1552/75	S1552/75	S1875	S1875	S1875
Collet Ref	Varibore	D-671	D-120	D-120	D-677	D-285	D-285	D-285
	Spring	D171E	-	-	-	-	-	-

Dimensions	CRS 36	CRS 54A5	CRS 54A6	CRS 60A5	CRS 66	CRS 66A6-S	CRS 66A8
Mount	115 x 5	A2-5	A2-6	A2-5	220 x 5	A2-6	A2-8
A	105	138	138	138	150	165	140
B	125	113	129	107.5	140	131	140
C	23	25	41	25	30	N/A	30
D	18	38	38	38	30	66	66
E Max	M50 x 1.5	M65 x 1.5	M65 x 1.5	M65 x 1.5	M80 x 2	M80 x 2	M80 x 2
F	58	72	72	72	90	90	90
G Max	-6	28	12	28	21	29.5	21
G Min	-14	18	2	21	11	19.5	11
H	135	138	166	139	230	166	210

Collet Chuck Series