



**COLLET  
CHUCK**

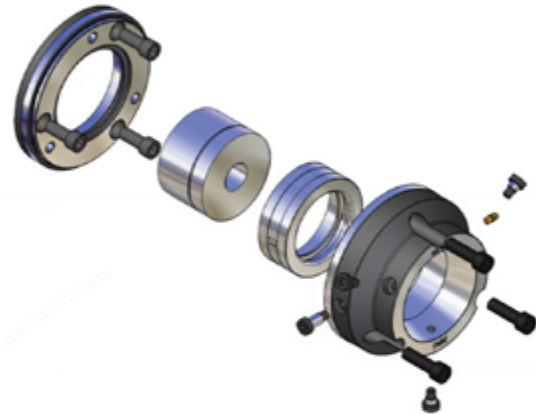
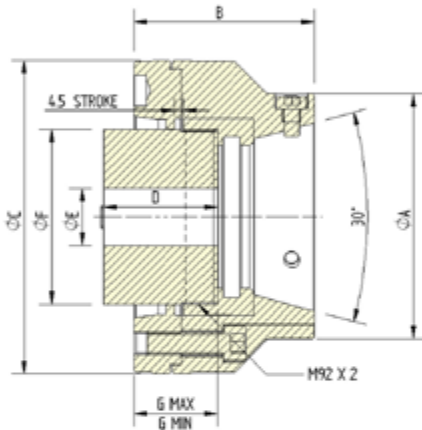
DHP Pull Back Series Power Collet Chucks



# DHP series

### Standard Features

- Pull back action for secure first operation clamping.
- Compact design and high accuracy.
- Requires collet changing device.
- Compatible with quick change collet clamping heads.



Collet Chuck

Specifications		DHP52-A5	DHP52-A6	DHP52-A8	DHP65-A5	DHP65-A6	DHP65-A8
Gripping Range - Round	Max mm	52	52	52	65	65	65
	Min mm	4	4	4	4	4	4
Collet Increment	mm	0.5	0.5	0.5	0.5	0.5	0.5
Sleeve Stroke	mm	4.5	4.5	4.5	4.5	4.5	4.5
Max Input Force	kN	40	40	40	45	45	45
Max Gripping Force	kN	94	94	94	105	105	105
Max Speed (r.p.m)	min <sup>-1</sup>	6500	6500	6500	6000	6000	6000
Net Weight	kg	9	9	11	9	9	11
Matching Cylinder		S1552	S1552	S1552	S1875	S1875	S1875
Collet / Clamping Head	Varibore	DC-52	DC-52	DC-52	DC-65	DC-65	DC-65

Dimensions	DHP52-A5	DHP52-A6	DHP52-A8	DHP65-A5	DHP65-A6	DHP65-A8
Mount	A2-5	A2-6	A2-8	A2-5	A2-6	A2-8
A	120	120	120	130	130	130
B	89	89	109	95	95	115
C	165	165	210	165	165	210
D	60	60	60	60	60	60
E Max	M70x2	M85x2	M85x2	M70x2	M85x2	M85x2
F	79	92	92	79	92	92
G Max	44	44	64	44	44	64
G Min	39.5	39.5	59.5	39.5	39.5	59.5