

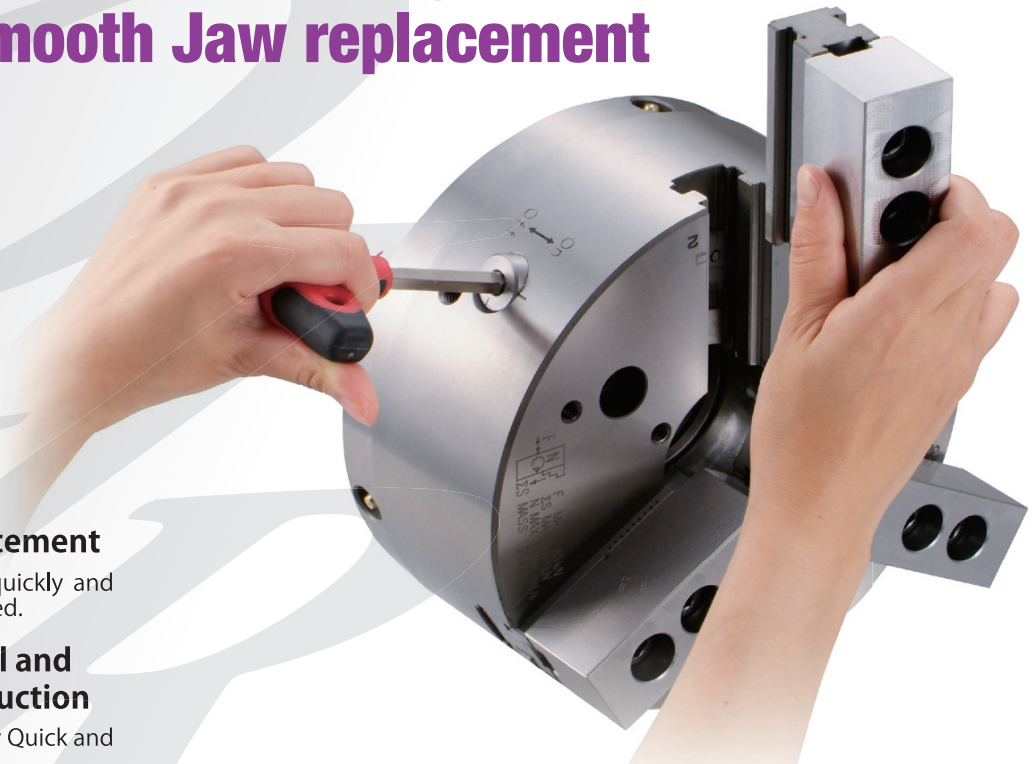


# Quick Jaw Replacement Power Chuck

# QJR series



**Quick and easy Jaw Change over.**  
**Suitable for small and large batch production**  
**Quick & smooth Jaw replacement**



**Features**

■ **Quick Jaw Replacement**

Jaw can be replaced quickly and easily by handle supplied.

■ **Suitable for small and large batch production**

Reduced set up time by Quick and Easy Jaw replacement.

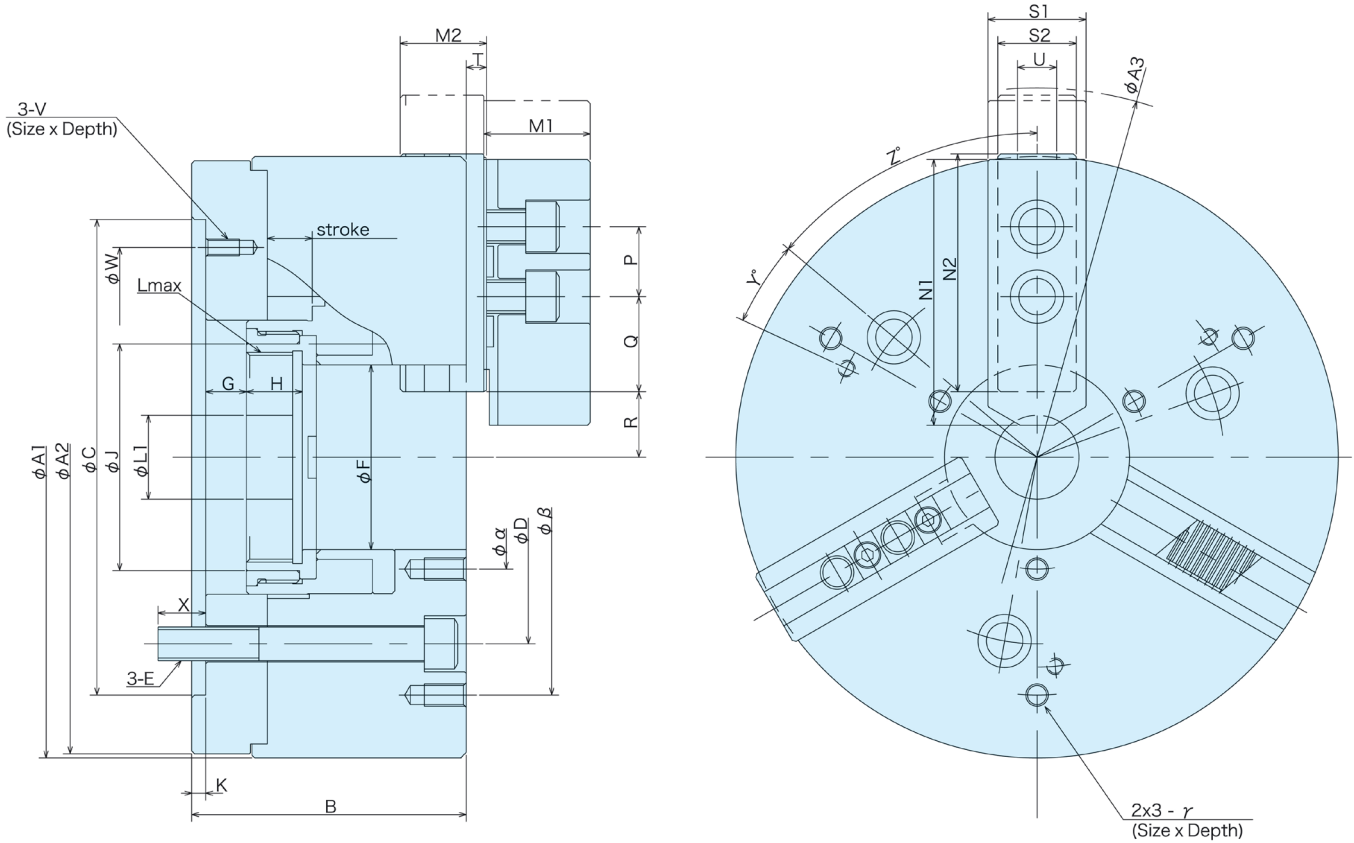
■ **Interchangeable mounting dimensions**

Kitagawa's B-200 and BB200 Series can be easily replaced with QJR large through hole power chucks.



**Specifications**

Model	Thru-Hole mm	Outer gripping range mm		Jaw Stroke (diameter) mm	Plunger Stroke mm	Max. Draw Bar Pull Force kN	Max. Gripping Force kN	Max. Speed min <sup>-1</sup>	Net Weight with Soft top jaws kg	Moment of inertia kg · m <sup>2</sup>
		max.	min.							
QJR08	66	210	23	7.4	16	45	100	5000	25	0.18
QJR10	81	254	41	8.8	19	60	135	4500	45	0.41
QJR12	106	315	47	10.6	23	81	180	3500	75	1.15



### Dimensions

Model	A1	A2	A3	B	C (H6)	D	E	F	G max.	G min.	H	J	K	L max.	L1	M1	M2	N1
QJR08	215	212	264	98	170	133.4	M12	66	14.5	-1.5	20	98 (81)	5	M75x2	30	38	30.8	95
QJR10	254	251	312	119	220	171.4	M16	81	19.0	0	39	96	5	M90x2	45	42	39.0	110
QJR12	315	312	360	133	220(300)	171.4(235)	M16(M20)	106	23.0	0	42	121	6	M115x2	50	50	45.2	111

Model	N2	P	Q	R max.	R min.	S1	S2	T	U	V	W	X	Y	Z	alpha	beta	gamma
QJR08	85.0	25	34.0	20.4-44.4	16.7-40.7	35	28	7.25	14	M6x12	150	17	15	50	80	170	M8x15
QJR10	100.5	30	40.5	21.2-52.7	16.8-48.3	40	35	11.30	16	M8x15	190	23	-15	50	100	220	M8x15
QJR12	108.0	30	57.0	33.9-69.9	28.6-64.6	50	50	12.00	21	M8x15 (M10x16)	190(260)	22(27)	-15(-20)	45(50)	130	280	M10x17

Dimensions in ( ) are at QJR12 in case of replacement of BB212.