

Modular In-Line Clamping System

NEW



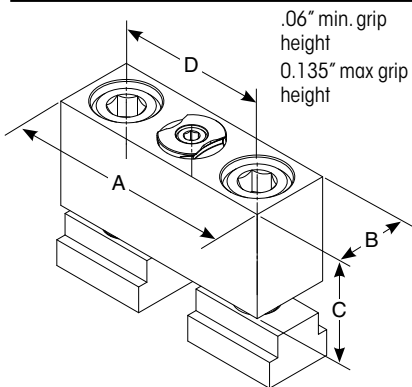
- ▶ Stops with TalonGrip™ or VersaGrip™ to hold both rectangular and irregular/round shapes
- ▶ Mount with your existing T-nut directly to your work table, or mount to grid plate using our Tungsten Carbide faced high grip T-Nuts, 16" Long T-Nut Rail, or fasten directly to table using socket head cap screw.
- ▶ Height of gripper can be adjusted by depth of slot or bore.

Mitee-Bite announces the addition of our popular fixture clamps in a modular system. Clamps, grips and stops, designed to be fully adjustable while mounted on T-Slot tables and grid plates. This system is designed around our Pitbull® Clamp which remains the strongest, lowest profile fixture clamp in the industry. Producing over 6,000 pounds of force. Available with Knife-Edge, Blunt-Edge or Machinable faces to suit your applications, all producing positive downforce. Low-profile stops and grippers incorporated into design for less tooling interference and savings on

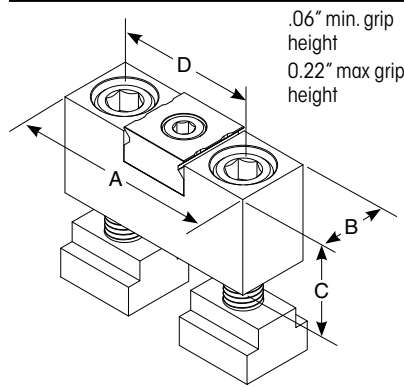


material cost. These modular clamps and stops are ground to the same height as our Large Modular Pitbull® Clamp (page 13) providing even greater versatility.

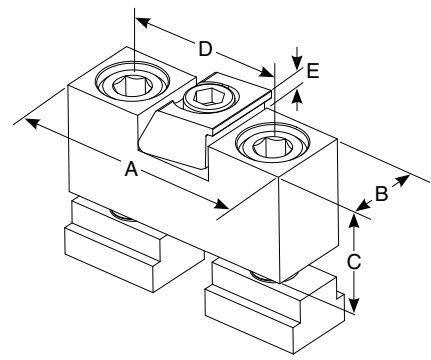
INLINE STOP WITH VERSAGRIP™



INLINE STOP WITH TALONGRIP™



INLINE CLAMP WITH PITBULL® CLAMP



Part No.	Description	A	B	C	D	E
41125	Inline Stop with Versagrip™	76.2mm (3.00")	25.4mm (1.00")	35.0mm (1.378")	50mm (1.97")	n/a
41335	Inline Stop with Talongrip™	76.2mm (3.00")	25.4mm (1.00")	35.0mm (1.378")	50mm (1.97")	n/a
41225	Inline Clamp with Pitbull KNIFE EDGE	76.2mm (3.00")	25.4mm (1.00")	35.0mm (1.378")	50mm (1.97")	6.4mm (.25")
41226	Inline Clamp with Pitbull BLUNT EDGE	76.2mm (3.00")	25.4mm (1.00")	35.0mm (1.378")	50mm (1.97")	6.4mm (.25")
41227	Inline Clamp with Pitbull MACHINABLE	76.2mm (3.00")	25.4mm (1.00")	35.0mm (1.378")	50mm (1.97")	6.4mm (.25")

NEW HIGH GRIP, MEDIUM GRIT, TUNGSTEN CARBIDE COATED T-NUTS

Includes M12 Mounting Screws

Part No.	Description	T-Slot Size
41014	Carbide coated T-nut set (2/pk)	14mm
41016	Carbide coated T-nut set (2/pk)	16mm
41018	Carbide coated T-nut set (2/pk)	18mm

Replacements

32175	Versagrip™ grips with M5 screw (2/pk)	M5x8mm LHCS
33050	Talongrip™ grips with M5 screw (2/pk)	M5x8mm LHCS
56060	Pitbull® M6 Blunt-Edge (4/pk)	M6x16mm SHCS
56070	Pitbull® M6 Knife-Edge (4/pk)	M6x16mm SHCS
56077	Pitbull® M6 Machinable (4/pk)	M6x16mm SHCS

